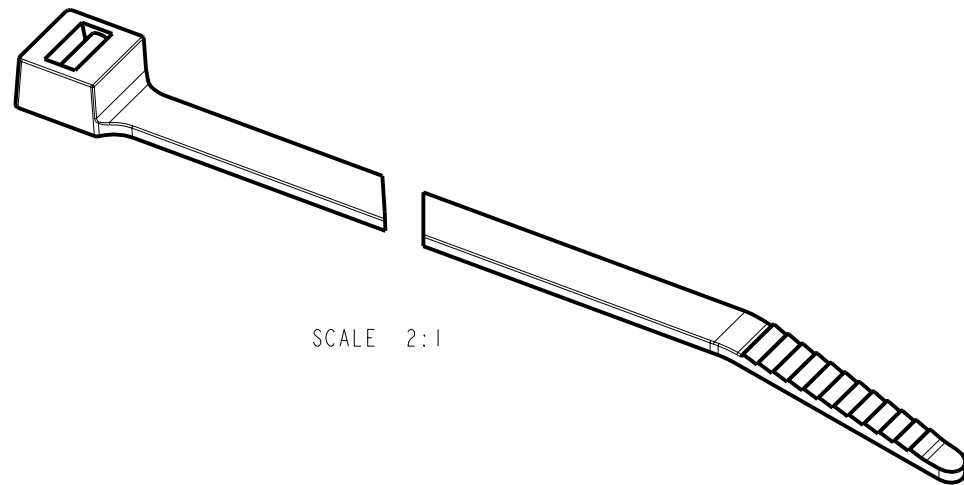
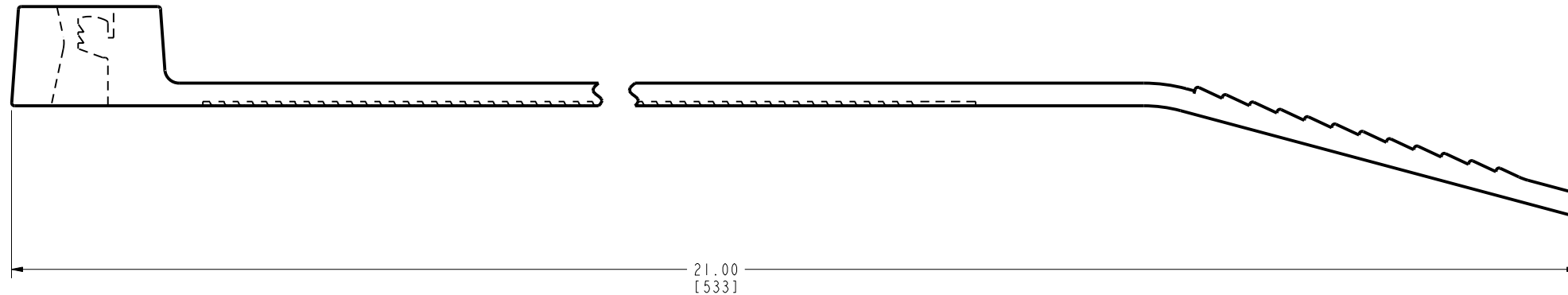
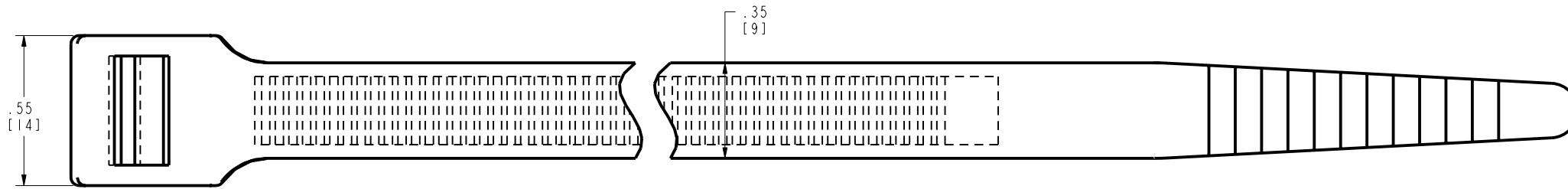


DRAWING NO.
30002600

CATALOG NUMBER	MATERIAL	MIN. TENSILE STRENGTH (LBS)	BUNDLE DIA.	PACKAGE	COLOUR
CT175600QUG	NYLON 6/6 UV STABILIZED	175	6"	25/PACK	UV BLACK
CT175600QUG	NYLON 6/6 STANDARD				NATURAL

REV	DATE	DESCRIPTION	ECO	BY	C'H'K.
A	6/16/2010 12:00:00 AM	SALES DRAWING RELEASE	20499	MK	JG



SCALE 2:1

NOTES:

- THIS DRAWING TO BE INTERPRETED PER ASME Y14.5M - 1994.
- "UG" IN CATALOG NUMBER INDICATES UNIVERSAL GRADE.
- DIMENSIONS IN [] BRACKETS ARE IN MILLIMETERS, ROUNDED OFF TO THE NEAREST MILLIMETER, UNLESS OTHERWISE NOTED. METRIC DIMENSIONS ARE FOR REFERENCE ONLY.

TO ORDER BURNDY® PRODUCTS CALL
 UNITED STATES
 1-800-346-4175 (LONDONDERRY, NH)
 CANADA:
 1-800-361-6975 (QUEBEC)
 1-800-387-6487 (ALL OTHER PROVINCES)
 FOR PRODUCT INFO: <http://www.burndy.com>

UNIRAP™	
ITEM NO:	N/A
CAT. NO:	CT175600QUG
DRAWN BY:	KATHIRESAN 6/16/2010
CHECKER:	--
DSN APPVL:	--
MFG APPVL:	--
QA APPVL:	--
MKT APPVL:	--
PROD FAM:	UNIRAP
PROJECT #:	--
DOCUMENT TYPE:	Sales
REL LEVEL:	Released
SIZE	D
DRAWING NO	30002600
REV	A
SHEET 1 OF 1	



REV: PE0200